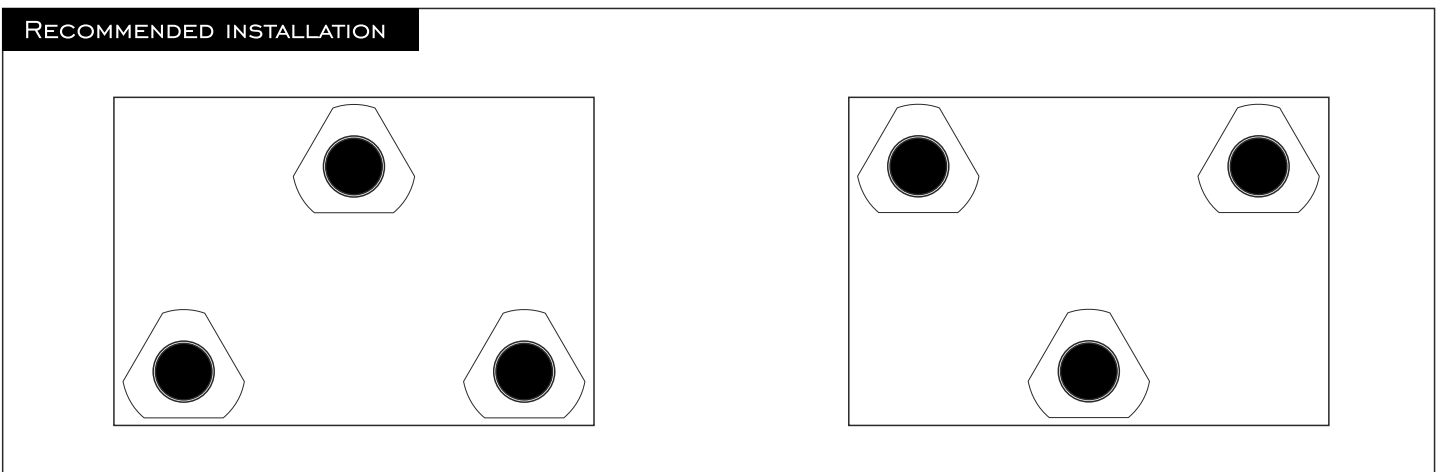
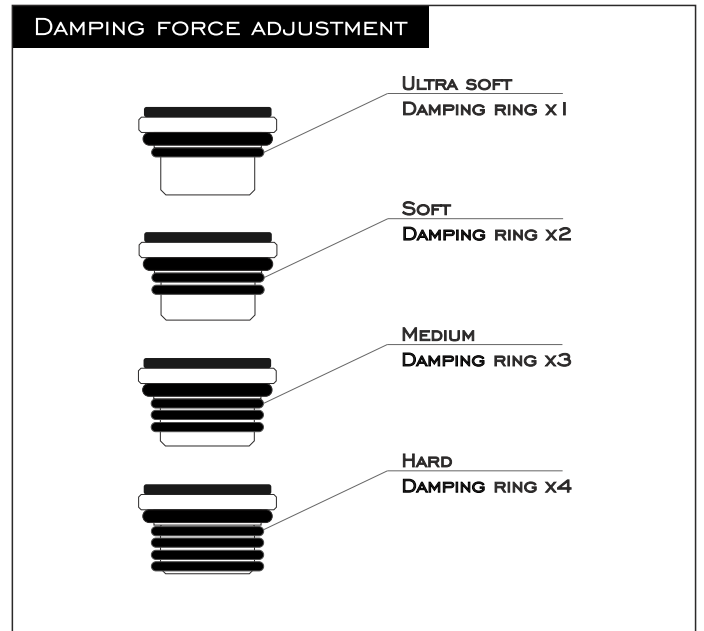
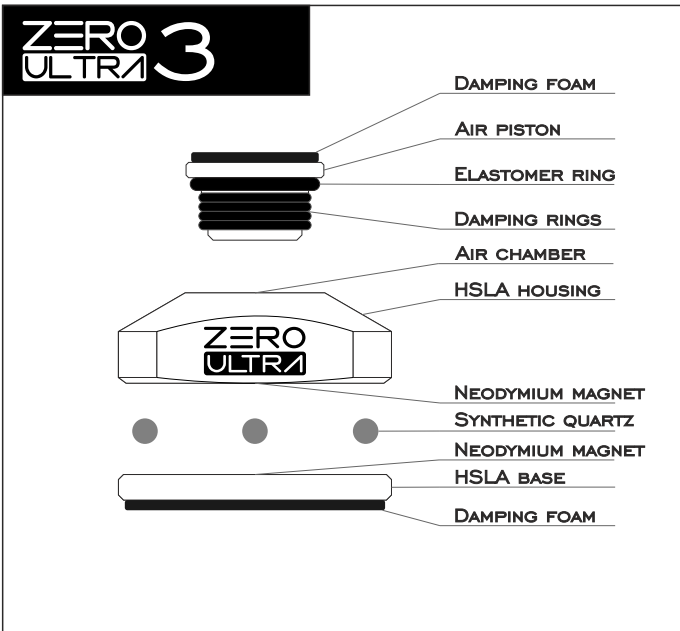
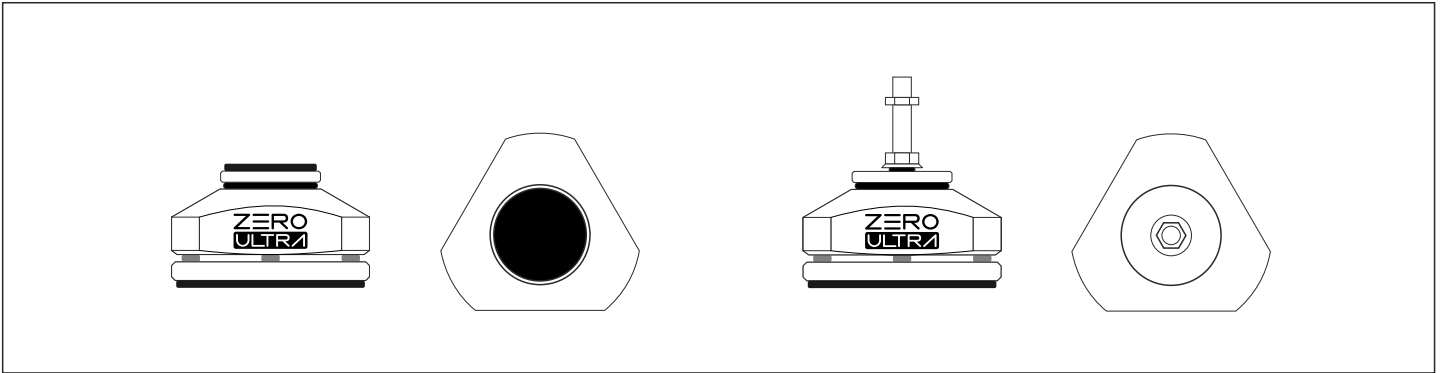


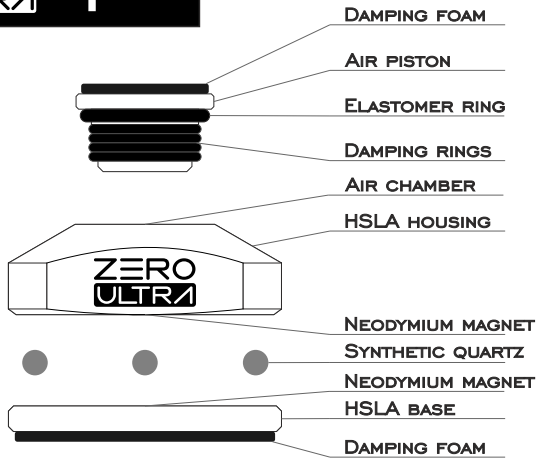
# OWNER MANUAL

## ZERO ULTRA SERIES

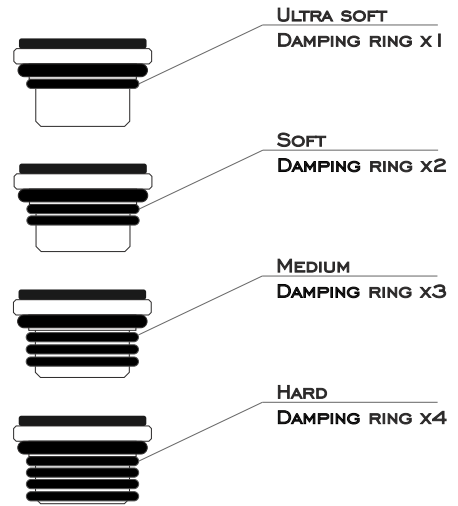
ADAPTIVE & ADJUSTABLE AIR-CUSHION  
VIBRATION CONTROL SYSTEM



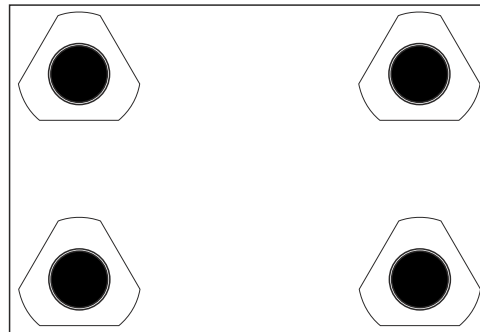
# ZERO ULTRA 4



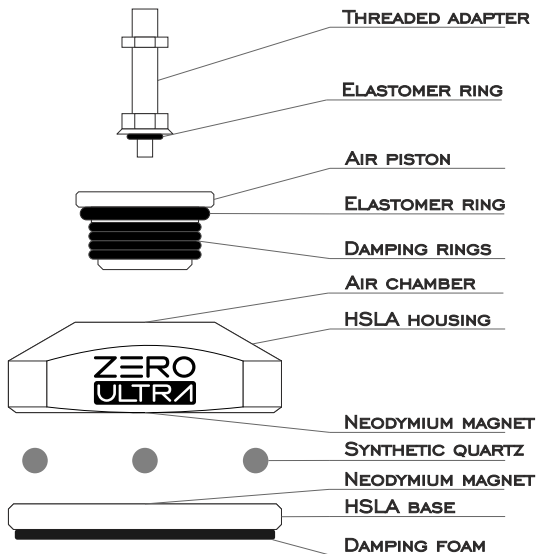
## DAMPING FORCE ADJUSTMENT



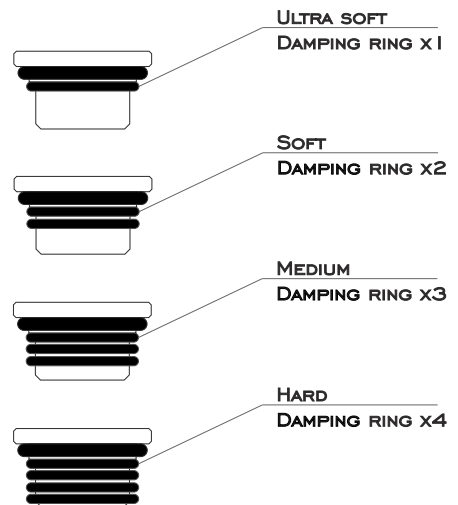
## RECOMMENDED INSTALLATION

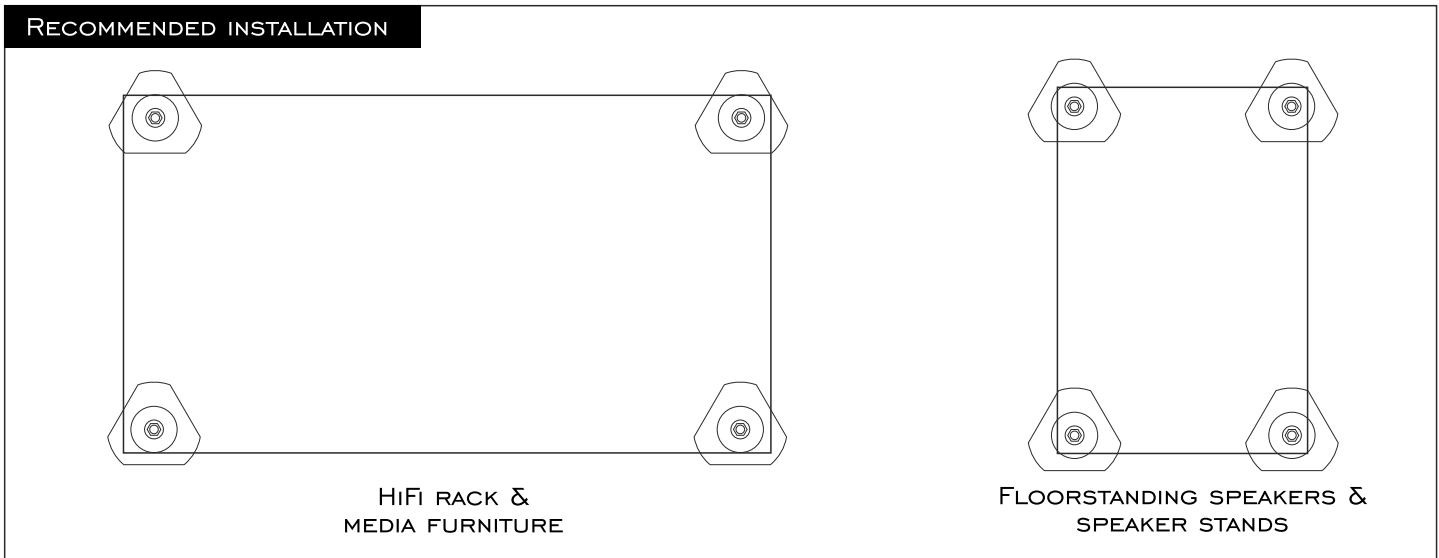
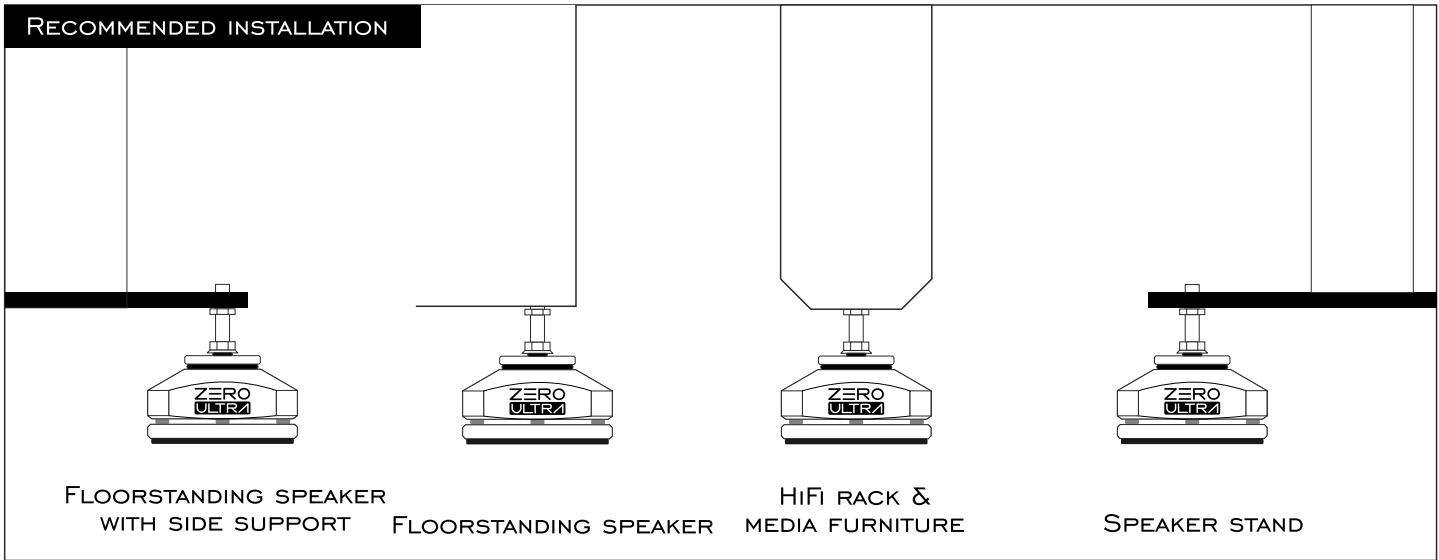


# ZERO ULTRA SP



## DAMPING FORCE ADJUSTMENT





**SPECIFICATION:** (ALL ZERO ULTRA FEET)

- COLOR:** STEEL GRAY SHINE
- MATERIAL:** STAINLESS STEEL HSLA, NEODYMIUM, SYNTHETIC QUARTZ, ELASTOMER
- DIMENSIONS:** 2,36" x 1,5" / 60 x 38 MM
- WEIGHT:** 0,9 LBS / 400 G / 1 PC
- LOAD CAPACITY:** 110 LBS / 55 KG / 1 PC

**CAUTION!** THE ZERO ULTRA FEET HAVE STRONG NEODYMIUM MAGNETS BUILT-IN. THREADED ADAPTERS ARE OPTIONAL ACCESSORIES FOR THE ZERO ULTRA SP.

